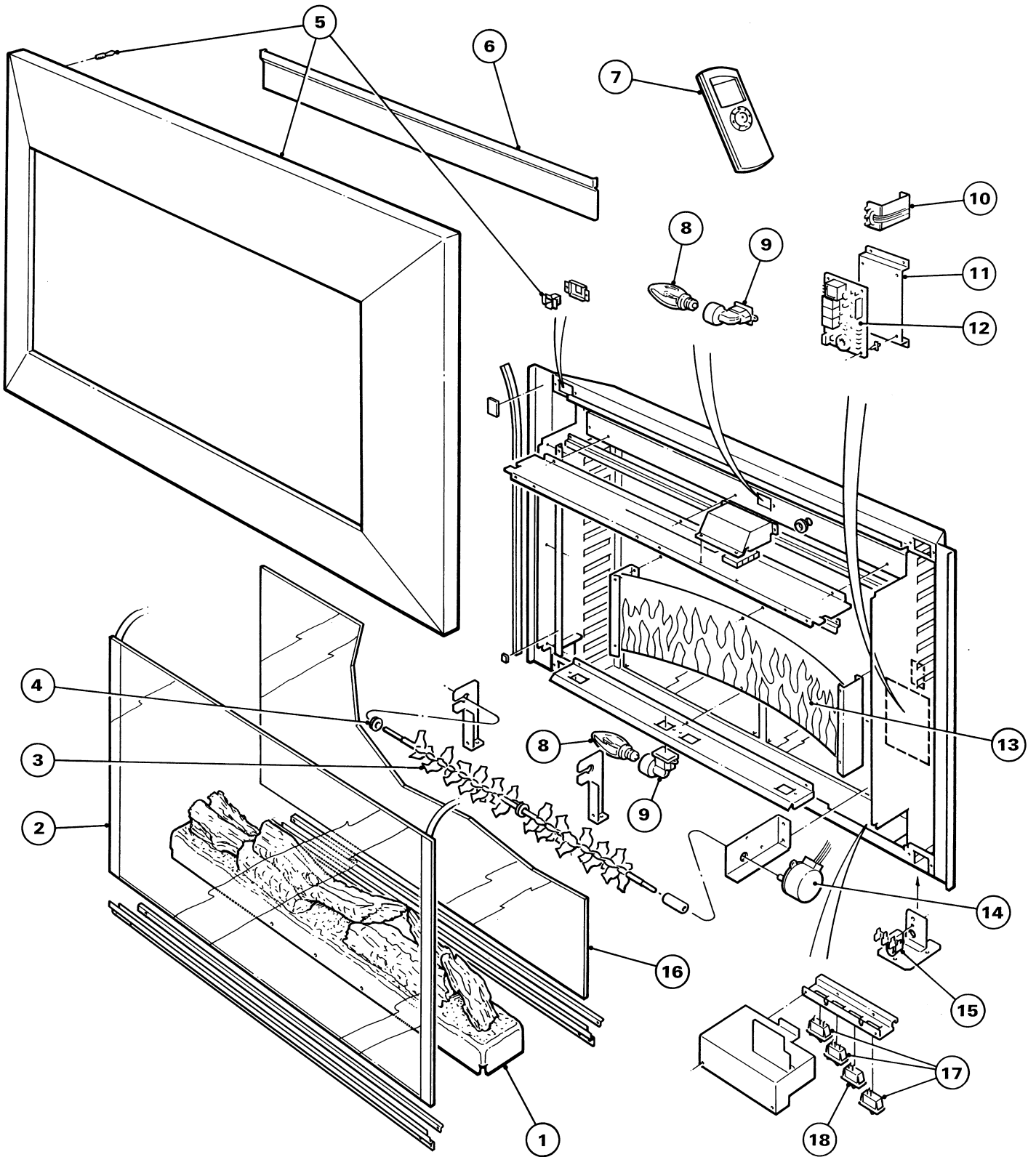


WALL FIRE SP420



WALL FIRE SP420

PARTS LIST**SP4 / SP9**

ITEM	CAT NO	WATTS	VOLTS	DESCRIPTION	COLOUR	MODEL
1	FP04006			LOG EFFECT		
2	FP04007			FRONT GLASS		
3	FP04008			ROTISSERIE		
4	FP9554			ROTISSERIE GROMMET		
5	FP04013			FRAME ASSY INC PINS		SP4
	FP04077			FRAME ASSY INC PINS		SP9
6	FP04009			WALL BRACKET PACK		
7	FP04012			REMOTE		SER A
	FP04081			REMOTE		SER B
8	FP03022	60		CANDLE LAMPS		
9	FP9610			LAMPHOLDER		
10	FP02033			PCB SUPPORT POST		
11	FP04003			PCB BOARD MOUNTING BRACKET		
12	FP05003			PCB		SER A
	FP04083			PCB		SER B
13	FP04002			REFLECTOR		
14	FP03020			GEARED 15RPM MOTOR		
15	BF7469			TERMINAL BLOCK		
16	FP04005			INNER GLASS		
17	BF7211			SWITCH		
18	FP02035			HIGH INRUSH SWITCH		
N/S	FP03018			LAMP REFLECTOR		
N/S	FP04004			GEARED MOTOR BRACKET		
N/S	FP9939			MOTOR COUPLING		